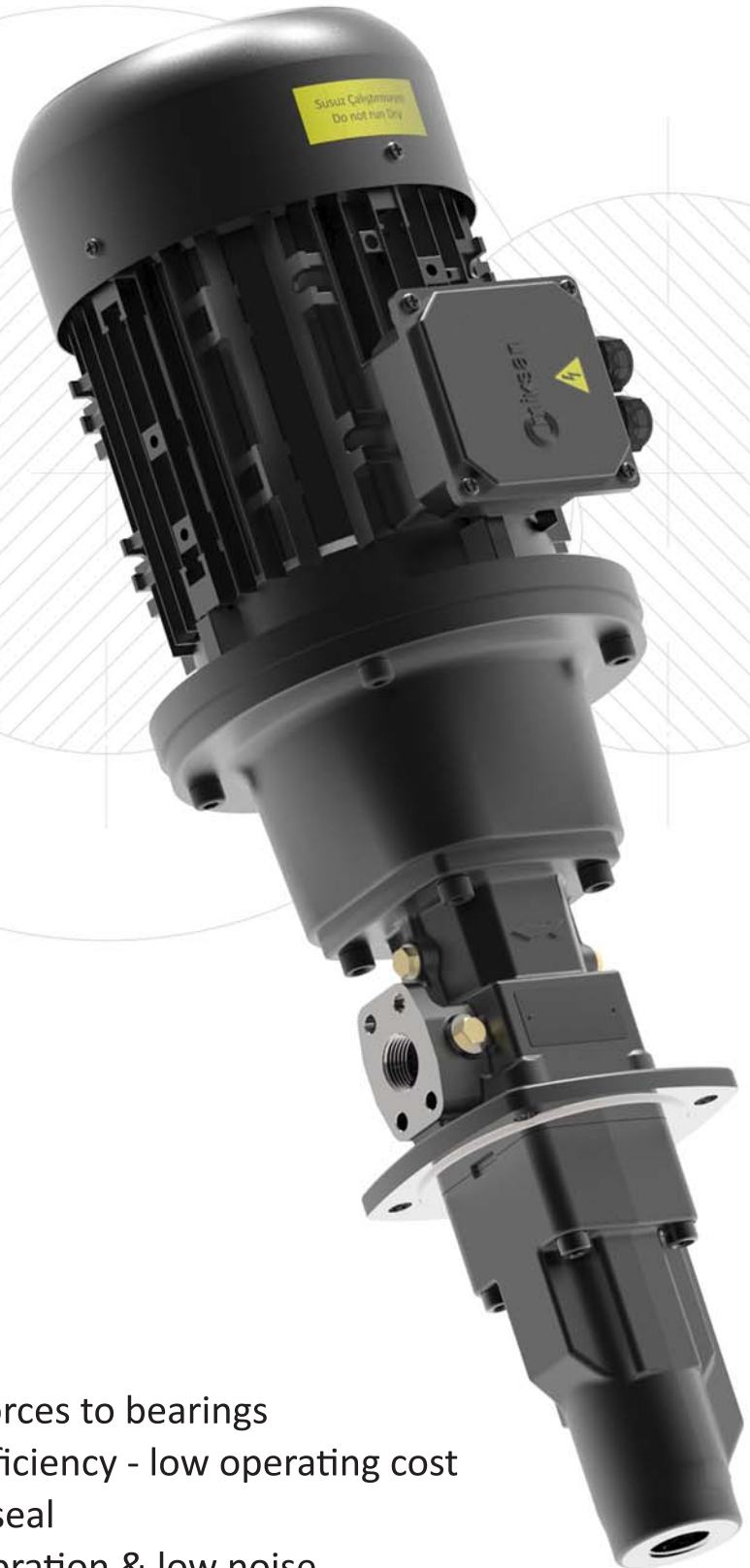


HIGH PRESSURE THREE SCREW PUMP

NEW



- Flow rate up to 50 l/min
- Pressure up to 120 bar
- Viscosity up to 600 cSt
- Vertical or horizontal installation
- Axially balanced rotors - no axial forces to bearings
- Special screw profiles offer high efficiency - low operating cost
- Maintenance-free SiC mechanical seal
- Near zero pulsation - minimized vibration & low noise

1 Screws

Special alloy steel, hardened 62 HRC, highly wear-resistant spindles extend the pump's service life.

3 Seal flushing

Back-flow from seal zone to pump inlet via safety valve when pressure exceeds 0.5 Bar

5 Sealing

maintenance-free SiC mechanical seal and Viton O-rings

2 Housing

Special heat treatment of pump housing to minimize friction and wear

4 Balancing piston

Ensures proper cooling and lubrication of mechanical seal surfaces and minimizes flow losses for higher efficiency

